

TCL-NC1261-EU

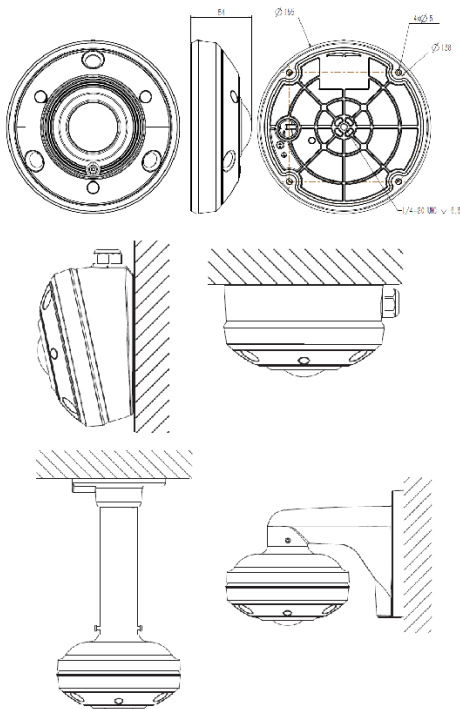
12MP 360° Panoramic Fisheye Camera



Features

- 12MP 360° Panoramic View
- 1/1.7" 12MP CMOS
- Up To 4000 × 3072@20fps
- Up To 14 Live View Display Modes
- H.265/H.264 HP/MP/BP/M-JPEG Codec
- VCA Tripwire/Double Tripwire/Perimeter/Early Warning/Heat Map/Audio Abnormal Detection/Video Abnormal Detection/Auto-tracking
- Min. Illumination Color: 0.01 Lux, B/W: 0.005 Lux, 0 Lux with IR
- Up to 15m IR Range
- 3pcs White Light, Up to 10m Light Range
- Interface Built-in Dual Mic, Built-in Speaker, Audio in/out 1/1, Alarm in/out 2/1, MicroSD Card Slot, up to 128GB, Reset Button, BNC, RS485
- TVS 6000V, Lightning/Surge Protection: (Power 2000V, RJ45 1000V), IP66, IK10
- Operating Conditions -30 C ~ 60 C, 0 ~ 95% RHG
- CE, FCC

Dimensions



Camera	
Image Sensor	1/1.7" 12MP CMOS
Core Processor	A7+A17 Dual Core Processor
Operating System	Embedded Linux
Signal System	PAL/NTSC
Min. Illumination	Color: 0.01 Lux @(F1.2, AGC ON) B/W: 0.005Lux @(F1.2, AGC ON); 0 Lux with IR
Shutter Time	1s ~ 1/100000s
Lens	2mm, F2.8, horizontal field of view: 180°(wall mount), 360°(ceiling mount), 360°(table
Lens Mount	M12
Day & Night	Dual IR Cut Filter with Auto Switch
Wide Dynamic Range	Digital WDR
Digital Noise Reduction	3D DNR
Compression Standard	
Video Compression	H.265/H.264 HP/MP/BP/M-JPEG
Video Bit Rate	32Kbps~16Mbps
Audio Compression	G.711A/G.711U/ADPCM/AAC
Audio Bit Rate	G711 8KHz, 64kbps
Image	
Max. Image Resolution	4000 × 3072
Fisheye View Main Stream	50Hz:20fps@(4000×3072), 25fps@(3072×3072, 2560×2560) 60Hz:20fps@(4000×3072), 30fps@(3072×3072, 2560×2560)
Fisheye View Sub Stream	50Hz:20fps@(720×720, 704×576) 60Hz:20fps@(720×720, 704×576)
Image Settings	Brightness, Saturation, Contrast, Flip Mode Adjustable by Client Software or Web
HLC	Y
Smart Defog	Y
EIS	Y
ROI	4 Zones
Privacy Mask	4 Zones
Picture Overlay	200 × 200, BMP 24bit, Zone Configurable
OSD	16×16, 32×32, 24×24, 48×48, 64×64, 96×96 Size Letters Such as Week, Date,
Live View Display	
Mount Type	Support table, wall, and ceiling
Decoding Mode	Support hardware decoding and software decoding
Display Mode	Support 14 display modes in total (including display modes of different mount types)
Network	
Browser	IE8, IE9, IE10, IE11
Network Storage	FTP
NTP	Y
ANR	Y, Auto store video in SD card when NVR disconnected, and upload video to NVR
Video Analytics	Tripwire/Double Tripwire/Early Warning/Heat Map/Abnormal Detection/Video
Alarm Trigger	Motion Detection/IP Conflict/MAC Conflict/Port Alarm/Mask Alarm/Storage
Protocols	IPv4/IPv6/HTTP/802.1x/FTP/SMTTP/UPnP/SNMP/DNS/DDNS/NTP/RTSP/TCP/UDP
User Permission	4 Level/8 Users
Remote Connection	5 Users Access at the Same Time
System Compatibility	ONVIF (Profile S), SDK
Interface	
Audio Input	1-ch 3.5mm audio interface, Built-in Dual Mic
Audio Output	1-ch 3.5mm audio output interface, Built-in Speaker
Communication Interface	1 RJ45 10M/100M/1000M Ethernet port
Alarm Input	2-ch
Alarm Output	1-ch
Video Output	1Vp-p Composite Output (75Ω/BNC)
On-board Storage	MicroSD Slot, Up to 128GB
Reset Button	Y
RS485	Y
General	
Language	English, Spanish, Korean, Italian, Turkish, Thai, Russian, Traditional Chinese, Simplified
Operating Conditions	-30°C ~ 60°C, 0 ~ 95% RHG
Power Supply	DC12V±10%, AC24V±25%, POE(802.3af)
Power Consumption	Max. 8.6W (IR OFF) (ICR Instant Switch 14W) Max. 11.7W (IR ON)
Circuit Protection	TVS 6000V, Lightning/Surge Protection: (Power 2000V, RJ45 1000V)
Impact Protection	IP66, IK10
IR Range	15m
White Light	3pcs White Light
IR LEDs	3pcs IR LEDs
Dimensions	155mm×155mm×54mm
Weight	0.75KG (IP Camera Only); 1.05KG (with Packing Box)

* The latest product information / specification can be found at <http://en.tiandy.com/>