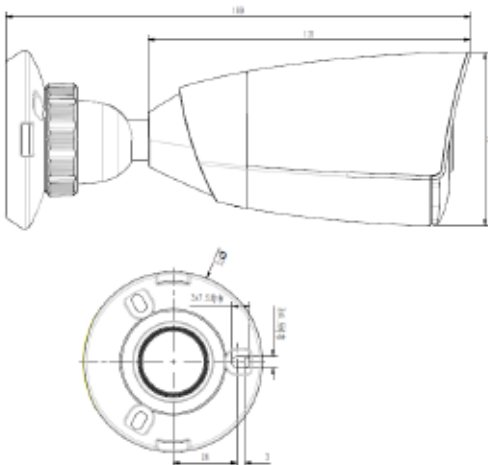




Features

- Up to 1920X1080@30fps
- Cable Free Design
- H.264/M-JPEG Codec
- Min. Illumination Color: 0.5 Lux, B/W: 0.25Lux, 0 Lux with IR
- Smart IR, IR Range: 25m
- VCA Tripwire/Perimeter
- Interface MicroSD Card Slot, up to 128GB, Reset Button
- TVS 6000V, Lightning/Surge Protection: (Power 2000V, RJ45 1000V), IP67
- Operating Conditions -35°C ~ 60°C (IR OFF) / -35°C ~ 40°C (IR ON), 0 ~ 95% RHG
- Case Material Metal
- CE, FCC

Dimensions



| | |
|-----------------------------|---|
| Camera | |
| Image Sensor | 1/2.7" CMOS |
| Core Processor | ARM9 Architecture |
| Operating System | Embedded Linux |
| Signal System | PAL/NTSC |
| Min. Illumination | Color: 0.5 Lux @(F1.2, AGC ON) B/W: 0.25Lux @(F1.2, AGC ON); 0 Lux with IR |
| Shutter Time | 1s to 1/100,000s |
| Lens | 4mm, Angle of View: 86.5° |
| Lens Mount | φ12 |
| Auto Iris | N/A |
| Day& Night | IR Cut Filter with Auto Switch |
| Wide Dynamic Range | 100 dB |
| Digital Noise Reduction | 3D DNR |
| Compression Standard | |
| Video Compression | H.264/MJPEG |
| Video Bit Rate | 32Kbps~16Mbps |
| Audio Compression | G.711A/G.711U/ADPCM |
| Audio Bit Rate | G711 8KHz, 64kbps |
| Image | |
| Max. Image Resolution | 1920x1080 |
| Frame Rate | 50Hz: 25fps (1920 × 1080), 25fps (1280 × 720) 60Hz: 30fps (1920 × 1080), 30fps (1280 × 720) Mainstream:1080P(1920*1080) |
| Triple Stream | Substream:D1(704*576) 3rd stream:CIF(352*288) |
| Image Settings | Brightness, Saturation, Contrast, Flip Mode Adjustable by Client Software or Web |
| HLC | Y |
| Smart Defog | Y |
| Corridor Format | Y, Available for 720P and Above |
| EIS | Y |
| ROI | 4 Zones |
| Privacy Mask | 4 Zones |
| Picture Overlay | 200 × 200, BMP 24bit, Zone Configurable |
| OSD | 16×16, 32×32, 24×24, 48×48, 64×64, 96×96 Size Letters Such as Week, Date, |
| Network | |
| Browser | IE8,IE9,IE10,IE11,Firefox24 |
| Network Storage | FTP |
| NTP | Y |
| ANR | Y, Auto store video in SD card when NVR disconnected, and upload video to NVR |
| Video Analytics | Tripwire/Perimeter |
| Alarm Trigger | Motion Detection/IP Conflict/MAC Conflict/Port Alarm/Mask Alarm |
| Protocols | IPv4/IPv6/HTTP/802.1x/FTP/SMTP/UPnP/SNMP/DNS/DDNS/NTP/RTSP/TCP/UD |
| User Permission | 4 Level/8 Users |
| Remote Connection | 3 Users Access at the Same Time |
| NTP | Y |
| System Compatibility | ONVIF (Profile S), SDK |
| Interface | |
| Audio Input | N/A |
| Audio Output | N/A |
| Communication Interface | 1-ch RJ45 10M / 100M Ethernet Interface |
| Alarm Input | N/A |
| Alarm Output | N/A |
| Video Output | N/A |
| On-board Storage | MicroSD Card Slot, up to 128GB |
| Reset | Y |
| General | |
| Language | English, Spanish, Korean, Italian, Turkish, Thai, Russian, Traditional Chinese, Simplified |
| Operating Conditions | -35°C ~ 60°C (IR OFF) / -35°C ~ 40°C (IR ON), 0 ~ 95% RHG |
| Power Supply | DC 12V±10%/PoE |
| Power Consumption | Max. 5W (IR OFF) (ICR Instant Switch 8.5W) Max. 7W (IR ON) |
| Circuit Protection | TVS 6000V, Lightning/Surge Protection: (Power 2000V, RJ45 1000V) |
| Impact Protection | IP67 |
| IR Range | 25m |
| IR LEDs | 2pcs Array |
| Dimensions | 189mm×70mm×70mm |
| Weight | 0.7KG (IP Camera Only); 0.9KG (with Packing Box) |

* The latest product information / specification can be found at <http://en.tiandy.com/>