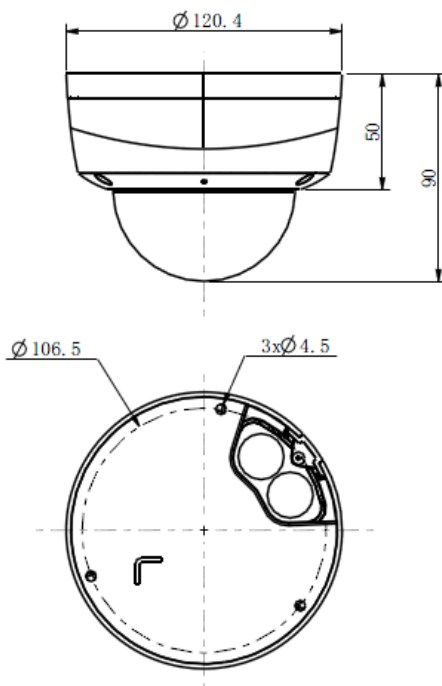




### Features

- Up to 1920X1080@30fps
- Cable Free Design
- H.264/M-JPEG Codec
- Min. Illumination Color: 0.5 Lux, B/W: 0.25Lux, 0 Lux with IR
- Smart IR, IR Range: 20m
- VCA Tripwire/Perimeter
- Interface Built-in Mic, Audio in/out 1/0, MicroSD Card Slot, up to 128GB, Reset Button
- TVS 6000V, Lightning/Surge Protection: (Power 2000V, RJ45 1000V), IP67
- Operating Conditions -35°C ~ 60°C (IR OFF) / -35°C ~ 40°C (IR ON), 0 ~ 95% RHG
- Case Material Metal + Plastic
- CE, FCC

### Dimensions



<b>Camera</b>	
Image Sensor	1/2.7" CMOS
Core Processor	ARM9 Architecture
Operating System	Embedded Linux
Signal System	PAL/NTSC
Min. Illumination	Color: 0.5 Lux @(F1.2, AGC ON) B/W: 0.25Lux @(F1.2, AGC ON); 0 Lux with IR
Shutter Time	1s to 1/100,000s
Lens	2.8mm, 109.3°
Lens Mount	φ12
Auto Iris	N/A
Adjustment Range	Pan: 0° - 355°, Tilt: 0° - 75°, Rotation: 0° - 355°
Day & Night	IR Cut Filter with Auto Switch
Wide Dynamic Range	100 dB
Digital Noise Reduction	3D DNR
<b>Compression Standard</b>	
Video Compression	H.264/M-JPEG
Video Bit Rate	32Kbps~16Mbps
Audio Compression	G.711/G.711U/ADPCM
Audio Bit Rate	G711 8KHz, 64kbps
<b>Image</b>	
Max. Image Resolution	1920x1080
Frame Rate	50Hz: 25fps (1920 × 1080), 25fps (1280 × 720) 60Hz: 30fps (1920 × 1080), 30fps (1280 × 720)
Triple Stream	Mainstream: 1080P(1920*1080) Substream: D1(704*576) 3rd stream: CIF(352*288)
Image Settings	Brightness, Saturation, Contrast, Flip Mode Adjustable by Client Software or Web
HLC	Y
Smart Defog	Y
Corridor Format	Y, Available for 720P and Above
EIS	Y
ROI	4 Zones
Privacy Mask	4 Zones
Picture Overlay	200 × 200, BMP 24bit, Zone Configurable
OSD	16×16, 32×32, 24×24, 48×48, 64×64, 96×96 Size Letters Such as Week, Date,
<b>Network</b>	
Browser	IE8, IE9, IE10, IE11, Firefox24
Network Storage	FTP
NTP	Y
ANR	Y, Auto store video in SD card when NVR disconnected, and upload video to NVR
Video Analytics	Tripwire/Perimeter
Alarm Trigger	Motion Detection/IP Conflict/MAC Conflict/Port Alarm/Mask Alarm
Protocols	IPv4/IPv6/HTTP/802.1x/FTP/SMTP/UPnP/SNMP/DNS/DDNS/NTP/RTSP/TCP/UDP
User Permission	4 Level/8 Users
Remote Connection	3 Users Access at the Same Time
System Compatibility	ONVIF (Profile S), SDK
<b>Interface</b>	
Audio Input	1-ch, Mic in
Audio Output	N/A
Communication Interface	1-ch RJ45 10M / 100M Ethernet Interface
Alarm Input	N/A
Alarm Output	N/A
Video Output	N/A
On-board Storage	MicroSD Card Slot, up to 128GB
Reset	Y
<b>General</b>	
Language	English, Spanish, Korean, Italian, Turkish, Thai, Russian, Traditional Chinese, Simplified
Operating Conditions	-35°C ~ 60°C (IR OFF) / -35°C ~ 40°C (IR ON), 0 ~ 95% RHG
Power Supply	DC 12 V ± 10%, PoE (802.3af)
Power Consumption	Max. 5W (IR OFF) (ICR Instant Switch 10W) Max. 7W (IR ON)
Circuit Protection	TVS 6000V, Lightning/Surge Protection: (Power 2000V, RJ45 1000V)
Impact Protection	IP67, IK10
IR Range	20m
IR LEDs	8pcs Array
Dimensions	120mm×120mm×90mm
Weight	0.7KG (IP Camera Only); 0.9KG (with Packing Box)

\* The latest product information / specification can be found at <http://en.tiandy.com/>