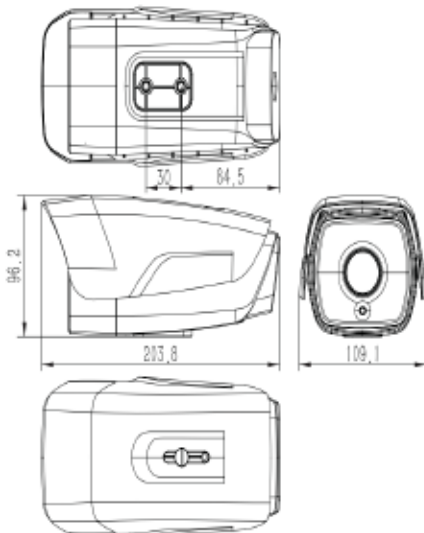




Features

- Super Starlight Ultra Low Light 0.0008lux
- Up To 1080P, 1920x1080@30fps
- H.265/H.264 HP/MP/BP/M-JPEG Codec
- Min. Illumination Color: 0.0008 Lux; IR Free Design
- Mechanical WDR 140dB
- VCA Tripwire/Double Tripwire/Perimeter/Object Abandon/Object Lost/Running/Loitering/Parking/Crowd/Audio Abnormal Detection/Video Abnormal Detection
- NIR, WDR, 3D DNR, HLC, Dual-ICR, AWB, AGC, BLC
- Interface Audio in/out 1/1, Alarm in/out 1/0, MicroSD Card Slot, up to 128GB, USB Storage up to 128GB, Reset Button
- TVS 6000V, Lightning/Surge Protection: (Power 2000V, RJ45 1000V), IP67
- Operating Conditions -35°C ~ 60°C, 0 ~ 95% RHG
- CE, FCC

Dimensions



Bracket(Optional)

Model: A21+A24



Camera	
Image Sensor	1/2.8" CMOS
Core Processor	ARM9 Architecture
Operating System	Embedded Linux
Signal System	PAL/NTSC
Min. Illumination	
	Color: 0.0008 Lux @(F1.2, AGC ON)
Shutter Time	1s to 1/100000s
Lens	4mm, Angle of View: 90°
Lens Mount	φ12
Auto Iris	N/A
Day& Night	IR Cut Filter with Auto Switch
Wide Dynamic Range	140 dB
Digital Noise Reduction	3D DNR
Compression Standard	
Video Compression	H.265/H.264 HP/MP/BP/M-JPEG
Encode Type	High Profile/Main Profile/Base Line Profile
Video Bit Rate	32Kbps~16Mbps
Audio Compression	G.711A/G.711U/ADPCM/AAC
Audio Bit Rate	G711 8KHz, 64kbps
Image	
Max. Image Resolution	1920×1080
Frame Rate	50Hz: 25fps (1920 × 1080), 25fps (1280 × 720) 60Hz: 30fps (1920 × 1080), 30fps (1280 × 720)
Triple Stream	Mainstream:1080P(1920*1080)
	Substream:D1(704*576)
	3rd Stream:CIF(352*288)
Image Settings	Brightness, Saturation, Contrast, Flip Mode Adjustable by Client Software or Web
HLC	Y
Smart Defog	Y
Corridor Format	Y, Available for 720P and Above
EIS	Y
ROI	4 Zones
Privacy Mask	4 Zones
Picture Overlay	200 × 200, BMP 24bit, Zone Configurable
OSD	16×16, 32×32, 24×24, 48×48, 64×64, 96×96 Size Letters Such as Week, Date,
Network	
Browser	IE8,IE9,IE10,IE11,Firefox24
Network Storage	FTP
NTP	Y
ANR	Y, Auto store video in SD card when NVR disconnected, and upload video to NVR
Video Analytics	Tripwire/Double Tripwire/Perimeter/Object Abandon/Object
Alarm Trigger	Motion Detection/IP Conflict/MAC Conflict/Port Alarm/Mask Alarm
Protocols	IPv4/IPv6/HTTP/802.1x/FTP/SNMP/UPnP/SNMP/DNS/DDNS/NTP/RTSP/TCP/UD
User Permission	4 Level/8 Users
Remote Connection	5 Users Access at the Same Time
System Compatibility	ONVIF (Profile S), SDK
Interface	
Audio Input	1-ch
Audio Output	1-ch
Communication Interface	1-ch RJ45 10M / 100M ethernet interface
Alarm Input	1-ch
Alarm Output	N/A
Video Output	N/A
On-board Storage	MicroSD Card Slot, up to 128GB
Extension	USB
General	
Language	English,Spanish,Korean,Italian,Turkish,Thai,Russian,Traditional Chinese,Polish
Operating Conditions	-35°C ~ 60°C, 0 ~ 95% RHG
Power Supply	12 DC V ± 10%, PoE (802.3af)
Power Consumption	Max. 6.5W
Circuit Protection	TVS 6000V, Lightning/Surge Protection: (Power 2000V, RJ45 1000V)
Impact Protection	IP67
Dimensions	204mm×97mm x 110mm
Weight	0.6KG (Camera Only); 0.8KG (with Packing Box)

* The latest product information / specification can be found at <http://en.tiandy.com/>