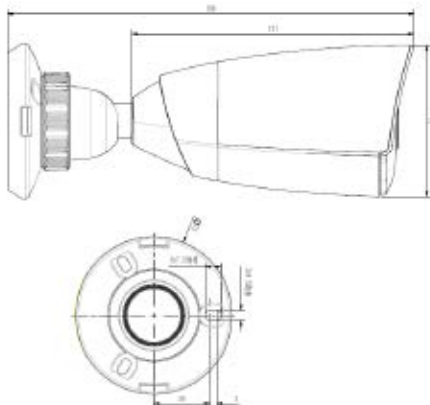




### Features

- Up to 2560×1440@25fps
- Cable Free Design
- H.265/H.264 HP/MP/BP/M-JPEG Codec
- Min. Illumination Color: 0.05 Lux, B/W: 0.01 Lux, 0 Lux with IR
- IE, Chrome, Firefox, Safari, Plug-in Free
- Mechanical WDR 120dB
- Smart IR, IR Range: 25m
- VCA Tripwire/Double Tripwire/Perimeter/Object Abandon/Object Lost/Running/Loitering/Parking/Crowd/Audio Abnormal Detection/Video Abnormal Detection\*
- Interface MicroSD Card Slot, up to 128GB, Reset Button
- TVS 6000V, Lightning/Surge Protection: (Power 2000V, RJ45 1000V), IP67
- Operating Conditions -35°C ~ 60°C (IR OFF) / -35°C ~ 40°C (IR ON), 0 ~ 95% RHG
- Case Material Metal
- CE, FCC

### Dimensions



<b>Camera</b>	
Image Sensor	1/3" CMOS
Core Processor	ARM7 Architecture
Operating System	Embedded Linux
Min. Illumination	Color: 0.05Lux(F1.2,AGC ON) B/W: 0.01Lux(F1.2,AGC ON); 0Lux with IR
Shutter Time	1s~1/100000s
Lens	4mm, Angle of View: 82.7°
Lens Mount	φ12
Auto Iris	N/A
Day & Night	IR Cut Filter with Auto Switch
Wide Dynamic Range	120 dB
Digital Noise Reduction	3D DNR
<b>Compression Standard</b>	
Video Compression	H.265/H.264 HP/MP/BP/M-JPEG
Encode Type	High Profile/Main Profile/Base Line Profile
Video Bit Rate	32Kbps~16Mbps
Audio Compression	G.711A/G.711U/ADPCM/AAC
Audio Bit Rate	G711 8KHz, 64kbps
<b>Image</b>	
Max. Image Resolution	1440P(2560×1440)@25fps
Frame Rate	PAL: 1440P@25fps,QXGA@25fps NTSC: 1440P@25fps,QXGA@30fps Mainstream: 1440P(2560×1440)
Triple Stream	Substream: D1(704×576) 3rd Stream: CIF(352×288)
Image Settings	Brightness, Saturation, Contrast Adjustable by Client Software or Web Browser
HLC	Y
Smart Defog	Y
Corridor Format	Y
EIS	Y
ROI	4 Zones
Privacy Mask	4 Zones
Picture Overlay	200 × 200, BMP 24bit, Zone Configurable
OSD	16×16, 32×32, 24×24, 48×48, 64×64, 96×96 Size Letters Such as Week, Date,
<b>Network</b>	
Browser	IE, Chrome, Firefox, Safari, Plug-in Free
Network Storage	FTP
NTP	Y
ANR	Y, Auto store video in SD card when NVR disconnected, and upload video to NVR
Video Analytics	Tripwire/Double Tripwire/Perimeter/Object Abandon/Object
Alarm Trigger	Motion Detection/IP Conflict/MAC Conflict/Port Alarm/Mask Alarm
Protocols	IPv4/IPv6/HTTP/802.1x/FTP/SMTP/UPnP/SNMP/DNS/DDNS/NTP/RTSP/TCP/UDP
User Permission	4 Level/8 Users
Remote Connection	5 Users Access at the Same Time
System Compatibility	ONVIF (Profile S), SDK
<b>Interface</b>	
Audio Input	N/A
Audio Output	N/A
Communication Interface	1-ch RJ45 10M / 100M Ethernet Interface
Alarm Input	N/A
Alarm Output	N/A
Video Output	N/A
On-board Storage	MicroSD Card Slot, up to 128GB
Reset	Y
<b>General</b>	
Language	English, Spanish, Korean, Italian, Turkish, Thai, Russian, Traditional Chinese, Simplified
Operating Conditions	-35°C ~ 60°C (IR OFF) / -35°C ~ 40°C (IR ON), 0 ~ 95% RHG
Power Supply	DC 12V±10%/PoE
Power Consumption	Max. 5W (IR OFF) (ICR Instant Switch 8.5W) Max. 7W (IR ON)
Circuit Protection	TVS 6000V, Lightning/Surge Protection: (Power 2000V, RJ45 1000V)
Impact Protection	IP67
IR Range	25m
IR LEDs	2pcs Array
Dimensions	189mm×70mm×70mm
Weight	0.7KG (IP Camera Only); 0.9KG (with Packing Box)

\* The latest product information / specification can be found at <http://en.tiandy.com/>